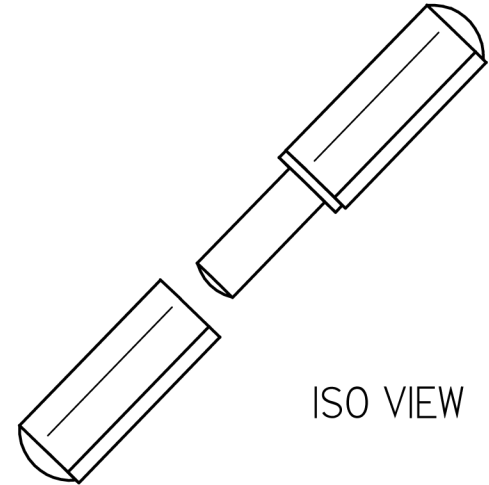
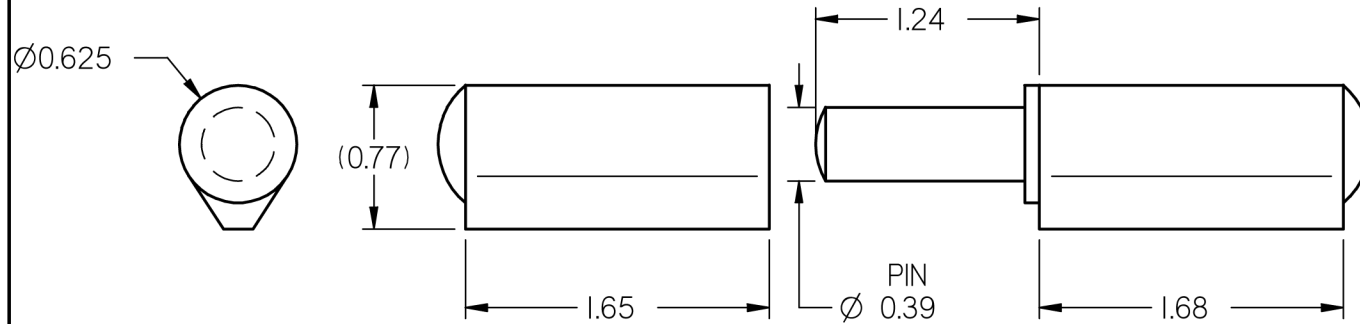


REVISION HISTORY			
REV	DESCRIPTION	DATE	APPROVED
0	FIRST RELEASE	01/11/08	
1	UPDATED	5/01/09	



NOTES:

1. MATERIAL: PLAIN STEEL WITH BRASS PIN & WASHER.
2. FINISH: NONE
3. ASSEMBLED LENGTH: 3.93

	DRAWN	NAME	DATE	
	CHECKED	TOM	01/11/08	
<small>CE DOCUMENT AINSI QUE SON CONTENU SONT LA PROPRIETE DE NMT SYSTEMS INC. CE DOCUMENT CONTIENT DE L'INFORMATION CONFIDENTIELLE PROTEGEE EN DROIT. TOUTE REPRODUCTION, DISTRIBUTION, UTILISATION OU COMMUNICATION DE CE DOCUMENT OU DE SON CONTENU SANS CONSENTEMENT EXPRESS SONT STRICTEMENT INTERDITES.</small> <small>THIS DOCUMENT AND ITS CONTENTS ARE THE PROPERTY OF NMT SYSTEMS INC. THIS DOCUMENT CONTAINS CONFIDENTIAL PROPRIETARY INFORMATION. THE REPRODUCTION, DISTRIBUTION, UTILISATION OR THE COMMUNICATION OF THIS DOCUMENT OR ANY PART THEREOF, WITHOUT EXPRESS AUTHORIZATION IS STRICTLY FORBIDDEN.</small>	DWG NO	PS100BP	REV	
	TITLE	WELD-ON HINGE		
REMOVE ALL BURRS & BREAK ALL SHARP EDGES ALL DIMENSIONS ARE IN INCHES UNLESS OTHERWISE SPECIFIED	TOLERANCES		THIRD ANGLE PROJECTION 	SCALE
	ANGLES	HOLES		N.T.S.
	±0.060	±0.030	±0.015	SIZE
	±1.0°	±0.005		B
			SHEET 1 OF 1	