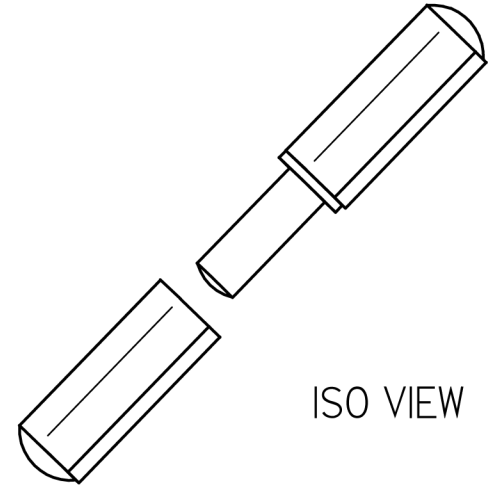
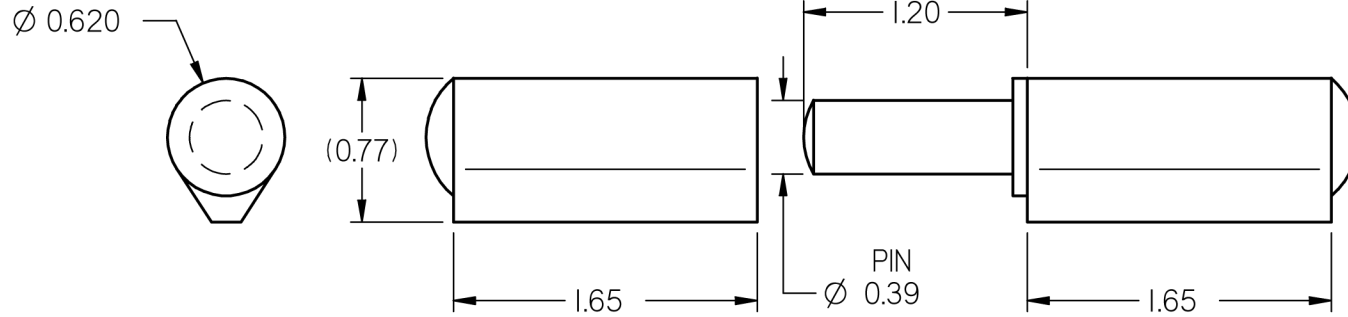


REVISION HISTORY			
REV	DESCRIPTION	DATE	APPROVED
0	FIRST RELEASE	01/11/08	
1	UPDATED	2/10/09	



NOTES:

1. MATERIAL: PLAIN STEEL WITH BRASS WASHER
2. FINISH: NONE
3. ASSEMBLED LENGTH: 3.97

	<table border="1"> <tr> <td></td> <td>NAME</td> <td>DATE</td> </tr> <tr> <td>DRAWN</td> <td>TOM</td> <td>01/11/08</td> </tr> <tr> <td>CHECKED</td> <td></td> <td></td> </tr> </table>		NAME	DATE	DRAWN	TOM	01/11/08	CHECKED																
		NAME	DATE																					
DRAWN	TOM	01/11/08																						
CHECKED																								
<table border="1"> <tr> <td>DWG NO</td> <td>PS100SP</td> <td>REV</td> <td>I</td> </tr> <tr> <td colspan="4">TITLE</td> </tr> <tr> <td colspan="4" style="text-align: center;">WELD-ON HINGE</td> </tr> </table>	DWG NO	PS100SP	REV	I	TITLE				WELD-ON HINGE															
DWG NO	PS100SP	REV	I																					
TITLE																								
WELD-ON HINGE																								
<p>CE DOCUMENT CONTIENT DE L'INFORMATION CONFIDENTIELLE PROTEGEE EN DROIT. TOUTE REPRODUCTION, DISTRIBUTION, UTILISATION OU COMMUNICATION DE CE DOCUMENT OU DE SON CONTENU SANS CONSENTEMENT EXPRESS SONT STRICTEMENT INTERDITES.</p> <p>THIS DOCUMENT CONTAINS CONFIDENTIAL PROPRIETARY INFORMATION. THE REPRODUCTION, DISTRIBUTION, UTILISATION OR THE COMMUNICATION OF THIS DOCUMENT OR ANY PART THEREOF, WITHOUT EXPRESS AUTHORIZATION IS STRICTLY FORBIDDEN.</p>	<table border="1"> <tr> <td colspan="2">TOLERANCES</td> <td rowspan="2" style="text-align: center;"> THIRD ANGLE PROJECTION </td> <td rowspan="2"> SCALE N.T.S. SIZE B </td> </tr> <tr> <td>XX</td> <td>±0.060</td> </tr> <tr> <td>XXX</td> <td>±0.030</td> <td></td> <td></td> </tr> <tr> <td>XXXX</td> <td>±0.015</td> <td></td> <td></td> </tr> <tr> <td>ANGLES</td> <td>±1.0°</td> <td></td> <td></td> </tr> <tr> <td>HOLES</td> <td>±0.005</td> <td></td> <td></td> </tr> </table>	TOLERANCES		THIRD ANGLE PROJECTION 	SCALE N.T.S. SIZE B	XX	±0.060	XXX	±0.030			XXXX	±0.015			ANGLES	±1.0°			HOLES	±0.005			
TOLERANCES		THIRD ANGLE PROJECTION 	SCALE N.T.S. SIZE B																					
XX	±0.060																							
XXX	±0.030																							
XXXX	±0.015																							
ANGLES	±1.0°																							
HOLES	±0.005																							
<p>REMOVE ALL BURRS & BREAK ALL SHARP EDGES</p>	<p>ALL DIMENSIONS ARE IN INCHES UNLESS OTHERWISE SPECIFIED</p>																							