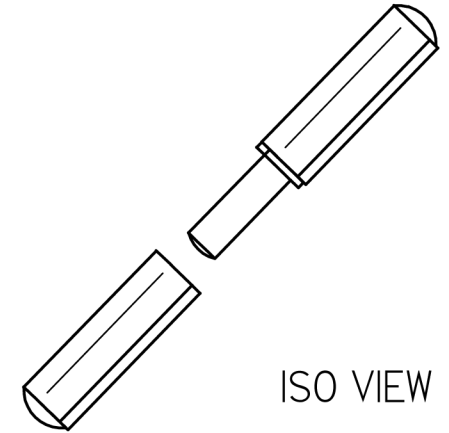
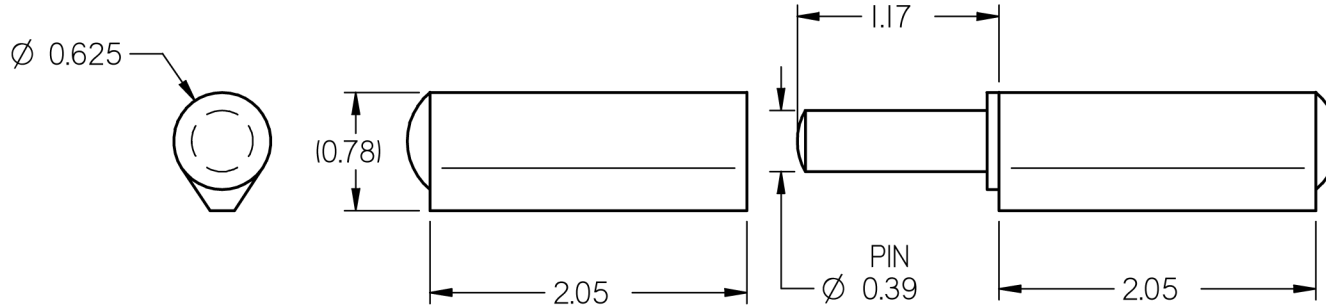


REVISION HISTORY			
REV	DESCRIPTION	DATE	APPROVED
0	FIRST RELEASE	01/11/08	
1	UPDATED	2/10/09	



NOTES:

1. MATERIAL: PLAIN STEEL WITH BRASS WASHER
2. FINISH: NONE
3. ASSEMBLED LENGTH: 4.72

	DRAWN	NAME	DATE
	CHECKED	TOM	01/11/08
<small>CE DOCUMENT CONTIENT DE L'INFORMATION CONFIDENTIELLE PROTEGEE EN DROIT. TOUTE REPRODUCTION, DISTRIBUTION, UTILISATION OU COMMUNICATION DE CE DOCUMENT OU DE SON CONTENU SANS CONSENTEMENT EXPRESS SONT STRICTEMENT INTERDITES.</small>  <small>THIS DOCUMENT CONTAINS CONFIDENTIAL PROPRIETARY INFORMATION. THE REPRODUCTION, DISTRIBUTION, UTILISATION OR THE COMMUNICATION OF THIS DOCUMENT OR ANY PART THEREOF, WITHOUT EXPRESS AUTHORISATION IS STRICTLY FORBIDDEN.</small>	DWG NO	PSI20SP	REV I
	TITLE		
REMOVE ALL BURRS & BREAK ALL SHARP EDGES  ALL DIMENSIONS ARE IN INCHES UNLESS OTHERWISE SPECIFIED	TOLERANCES		THIRD ANGLE PROJECTION
	ANGLES	HOLES	
	XXX	±0.060	SCALE
	XXX	±0.030	N.T.S.
	XXX	±0.015	SIZE
	XXX	±1.0°	B
	XXX	±0.005	SHEET 1 OF 1