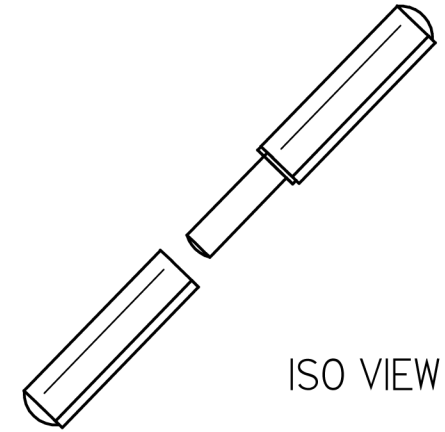
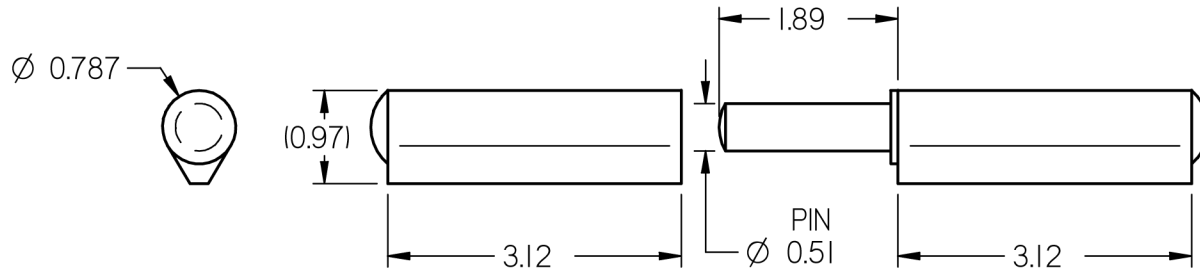


REVISION HISTORY			
REV	DESCRIPTION	DATE	APPROVED
0	FIRST RELEASE	01/11/08	
1	UPDATED	2/10/09	



ISO VIEW

NOTES:

1. MATERIAL: PLAIN STEEL WITH BRASS WASHER.
2. FINISH: NONE
3. ASSEMBLED LENGTH: 7.08

		DRAWN	NAME	DATE	
		CHECKED	TOM	01/11/08	
<small>CE DOCUMENT CONTIENT DE L'INFORMATION CONFIDENTIELLE PROTEGEE EN DROIT. TOUTE REPRODUCTION, DISTRIBUTION, UTILISATION OU COMMUNICATION DE CE DOCUMENT OU DE SON CONTENU SANS CONSENTEMENT EXPRESS SONT STRICTEMENT INTERDITES.</small> <small>THIS DOCUMENT CONTAINS CONFIDENTIAL PROPRIETARY INFORMATION. THE REPRODUCTION, DISTRIBUTION, UTILISATION OR THE COMMUNICATION OF THIS DOCUMENT OR ANY PART THEREOF, WITHOUT EXPRESS AUTHORIZATION IS STRICTLY FORBIDDEN.</small>		DWG NO	PSI80SP	REV I	
		TITLE			WELD-ON HINGE
REMOVE ALL BURRS & BREAK ALL SHARP EDGES	ALL DIMENSIONS ARE IN INCHES UNLESS OTHERWISE SPECIFIED	TOLERANCES		THIRD ANGLE PROJECTION 	SCALE N.T.S. SIZE B
		XX	±0.060		
		XXX	±0.030		
		XXXX	±0.015		
		ANGLES	±1.0°		
		HOLES	±0.005		
		SHEET 1 OF 1			