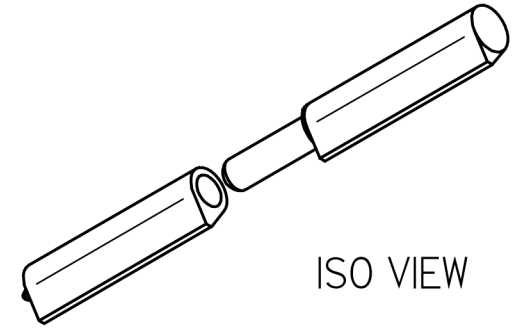
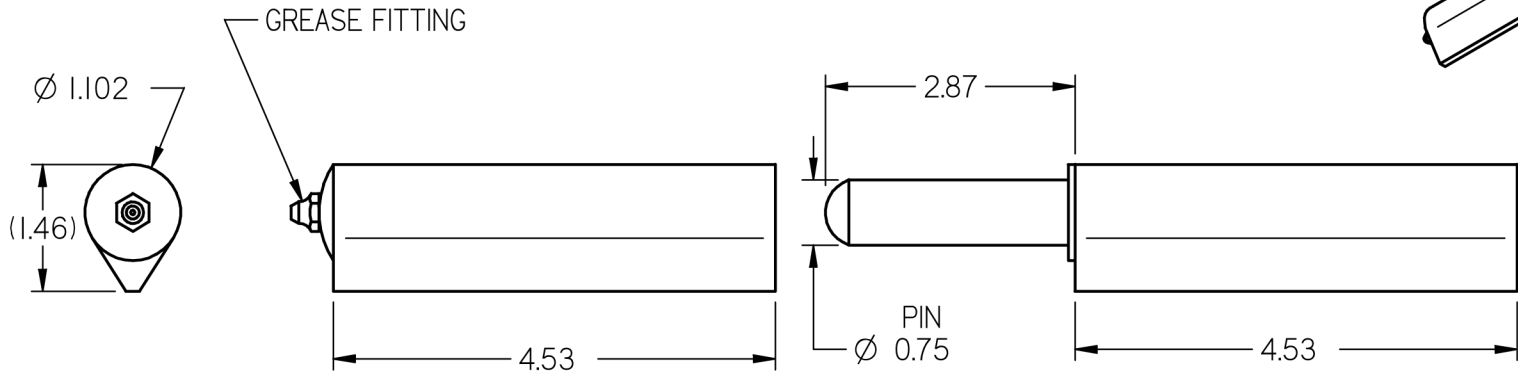


REVISION HISTORY			
REV	DESCRIPTION	DATE	APPROVED
0	FIRST RELEASE	01/11/08	
1	UPDATED	2/16/09	



ISO VIEW



NOTES:

1. MATERIAL: PLAIN STEEL WITH BRASS WASHER, BRASS GREASE FITTING
2. FINISH: NONE
3. ASSEMBLED LENGTH: 10.24

	DRAWN	NAME	DATE
	CHECKED	TOM	01/11/08
<small>CE DOCUMENT CONTIENT DE L'INFORMATION CONFIDENTIELLE PROTEGEE EN DROIT. TOUTE REPRODUCTION, DISTRIBUTION, UTILISATION OU COMMUNICATION DE CE DOCUMENT OU DE SON CONTENU SANS CONSENTEMENT EXPRESS SONT STRICTEMENT INTERDITES.</small> <small>THIS DOCUMENT CONTAINS CONFIDENTIAL PROPRIETARY INFORMATION. THE REPRODUCTION, DISTRIBUTION, UTILISATION OR THE COMMUNICATION OF THIS DOCUMENT OR ANY PART THEREOF, WITHOUT EXPRESS AUTHORIZATION IS STRICTLY FORBIDDEN.</small>	DWG NO	PS260SPGF	REV I
	TITLE WELD-ON HINGE		
REMOVE ALL BURRS & BREAK ALL SHARP EDGES ALL DIMENSIONS ARE IN INCHES UNLESS OTHERWISE SPECIFIED	TOLERANCES		THIRD ANGLE PROJECTION
	ANGLES	±1.0°	
	HOLES	±0.005	SIZE B
			SHEET 1 OF 1