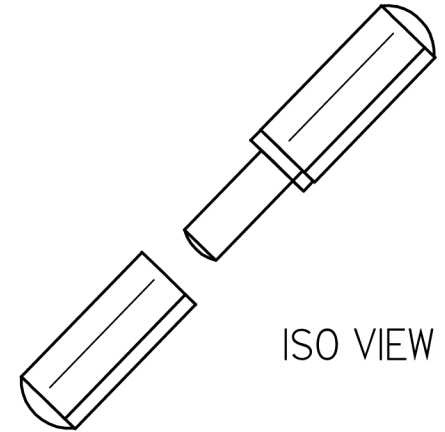
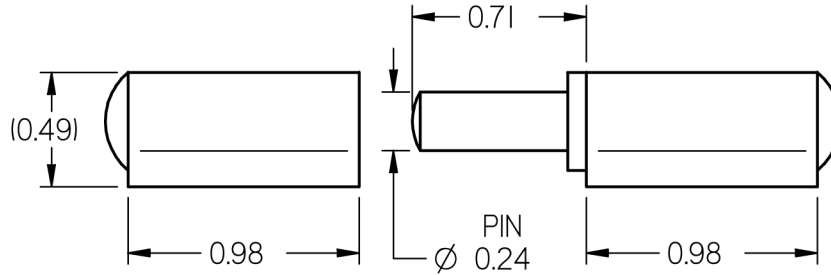
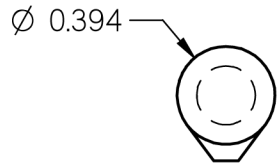


REVISION HISTORY			
REV	DESCRIPTION	DATE	APPROVED
0	FIRST RELEASE	01/11/08	
1	UPDATED	5/01/09	



ISO VIEW

NOTES:

1. MATERIAL: PLAIN STEEL WITH BRASS PIN & WASHER.
2. FINISH: NONE
3. ASSEMBLED LENGTH: 2.36

	DRAWN	NAME	DATE										
	CHECKED	TOM	01/11/08										
<small>CE DOCUMENT AINSI QUE SON CONTENU SONT LA PROPRIETE DE NMT SYSTEMS INC. CE DOCUMENT CONTIENT DE L'INFORMATION CONFIDENTIELLE PROTEGEE EN DROIT. TOUTE REPRODUCTION, DISTRIBUTION, UTILISATION OU COMMUNICATION DE CE DOCUMENT OU DE SON CONTENU SANS CONSENTEMENT EXPRESS SONT STRICTEMENT INTERDITES.</small> <small>THIS DOCUMENT AND ITS CONTENTS ARE THE PROPERTY OF NMT SYSTEMS INC. THIS DOCUMENT CONTAINS CONFIDENTIAL PROPRIETARY INFORMATION. THE REPRODUCTION, DISTRIBUTION, UTILISATION OR THE COMMUNICATION OF THIS DOCUMENT OR ANY PART THEREOF, WITHOUT EXPRESS AUTHORIZATION IS STRICTLY FORBIDDEN.</small>	DWG NO	PS60BP	REV										
	TITLE	WELD-ON HINGE											
	TOLERANCES	<table border="1"> <tr><td>XX</td><td>±0.060</td></tr> <tr><td>XXX</td><td>±0.030</td></tr> <tr><td>XXXX</td><td>±0.015</td></tr> <tr><td>ANGLES</td><td>±1.0°</td></tr> <tr><td>HOLES</td><td>±0.005</td></tr> </table>	XX	±0.060	XXX	±0.030	XXXX	±0.015	ANGLES	±1.0°	HOLES	±0.005	THIRD ANGLE PROJECTION
XX	±0.060												
XXX	±0.030												
XXXX	±0.015												
ANGLES	±1.0°												
HOLES	±0.005												
REMOVE ALL BURRS & BREAK ALL SHARP EDGES	ALL DIMENSIONS ARE IN INCHES UNLESS OTHERWISE SPECIFIED		N.T.S. SIZE B										
		SHEET 1 OF 1											