

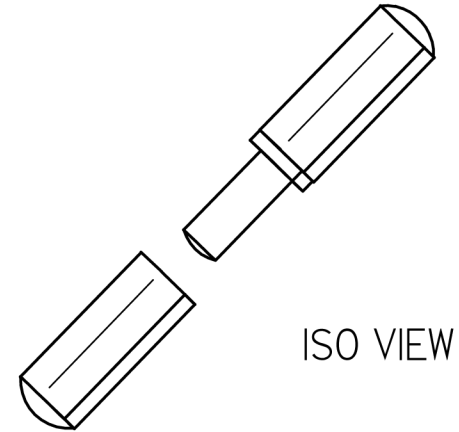
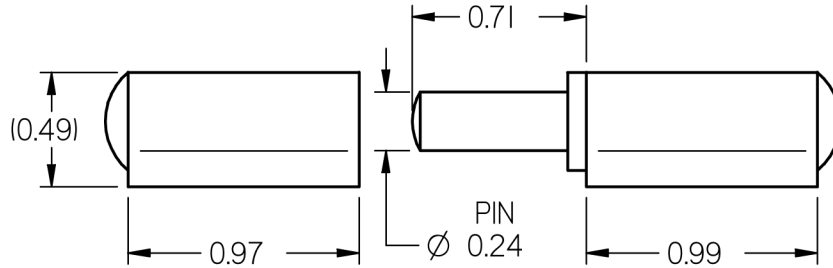
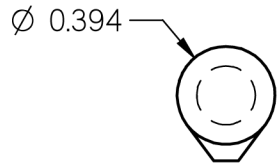
4

3

2

1

REVISION HISTORY			
REV	DESCRIPTION	DATE	APPROVED
0	FIRST RELEASE	01/11/08	
1	UPDATED	5/01/09	



ISO VIEW

NOTES:

- 1. MATERIAL: PLAIN STEEL WITH BRASS WASHER
- 2. FINISH: NONE
- 3. ASSEMBLED LENGTH: 2.33

	NAME		DATE
	DRAWN	TOM	01/11/08
<small>CE DOCUMENT CONTIENT DE L'INFORMATION CONFIDENTIELLE PROTEGEE EN DROIT. TOUTE REPRODUCTION, DISTRIBUTION, UTILISATION OU COMMUNICATION DE CE DOCUMENT OU DE SON CONTENU SANS CONSENTEMENT EXPRESS SONT STRICTEMENT INTERDITES.</small> <small>THIS DOCUMENT CONTAINS CONFIDENTIAL PROPRIETARY INFORMATION. THE REPRODUCTION, DISTRIBUTION, UTILISATION OR THE COMMUNICATION OF THIS DOCUMENT OR ANY PART THEREOF, WITHOUT EXPRESS AUTHORIZATION IS STRICTLY FORBIDDEN.</small>	DWG NO		REV
	PS60SP		I
	TITLE		
WELD-ON HINGE			
REMOVE ALL BURRS & BREAK ALL SHARP EDGES ALL DIMENSIONS ARE IN INCHES UNLESS OTHERWISE SPECIFIED	TOLERANCES		THIRD ANGLE PROJECTION
	XX	±0.060	
	XXX	±0.030	SCALE N.T.S. SIZE B
	XXXX	±0.015	
	ANGLES	±1.0°	SHEET 1 OF 1
	HOLES	±0.005	

4

3

2

1