

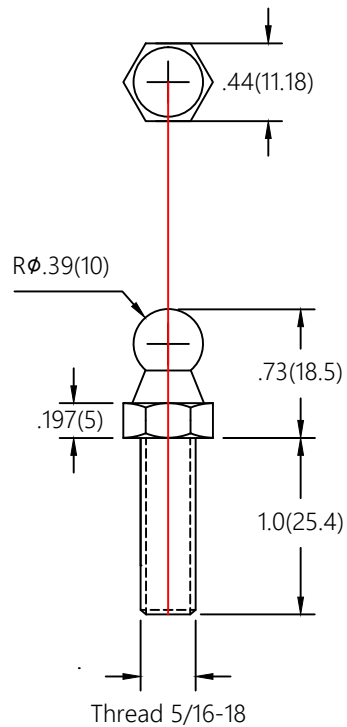
4

3

2

1

REVISION HISTORY			
REV	DESCRIPTION	DATE	APPROVED



Material: steel with zinc plating

<b>NORMONT</b>	DRAWN	NAME	DATE										
	CHECKED	Faith	12/17/20										
<small>THIS DOCUMENT AND ITS CONTENTS ARE THE PROPERTY OF NUJOMENG. THIS DOCUMENT CONTAINS CONFIDENTIAL PROPRIETARY INFORMATION. THE REPRODUCTION, DISTRIBUTION, UTILISATION OR THE COMMUNICATION OF THIS DOCUMENT OR ANY PART THEREOF, WITHOUT EXPRESS AUTHORIZATION IS STRICTLY FORBIDDEN.</small>	DWG NO	NBS01-03	REV 0										
	TITLE <b>Ball studs</b>												
	TOLERANCES	THIRD ANGLE PROJECTION	SCALE										
REMOVE ALL BURRS & BREAK ALL SHARP EDGES	ALL DIMENSIONS ARE IN <b>inch / (mm)</b> UNLESS OTHERWISE SPECIFIED	<table border="1"> <tr> <td>X.X</td> <td>± 0.060</td> </tr> <tr> <td>X.XX</td> <td>± 0.030</td> </tr> <tr> <td>X.XXX</td> <td>± 0.015</td> </tr> <tr> <td>ANGLES</td> <td>± FE</td> </tr> <tr> <td>HOLES</td> <td>± 0.005</td> </tr> </table>	X.X	± 0.060	X.XX	± 0.030	X.XXX	± 0.015	ANGLES	± FE	HOLES	± 0.005	
X.X	± 0.060												
X.XX	± 0.030												
X.XXX	± 0.015												
ANGLES	± FE												
HOLES	± 0.005												
		SHEET 1 OF 1	SIZE <b>B</b>										

4

3

2

1