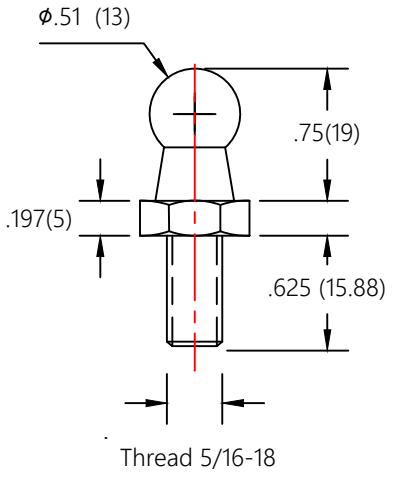
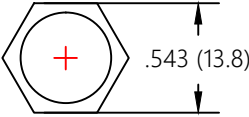


REVISION HISTORY			
REV	DESCRIPTION	DATE	APPROVED



Material: steel with zinc plating

<b>NORMONT</b>	DRAWN	NAME	DATE
	CHECKED	Faith	12/7/20
<small>THIS DOCUMENT AND ITS CONTENTS ARE THE PROPERTY OF NUJOMENG. THIS DOCUMENT CONTAINS CONFIDENTIAL PROPRIETARY INFORMATION. THE REPRODUCTION, DISTRIBUTION, UTILISATION OR THE COMMUNICATION OF THIS DOCUMENT OR ANY PART THEREOF, WITHOUT EXPRESS AUTHORISATION IS STRICTLY FORBIDDEN.</small>	DWG NO	NBS02-01	REV 0
	TITLE		
	Ball studs		
REMOVE ALL BURRS & BREAK ALL SHARP EDGES	ALL DIMENSIONS ARE IN <b>inch</b> UNLESS OTHERWISE SPECIFIED	TOLERANCES	THIRD ANGLE PROJECTION
		X.X $\pm 0.060$	
X.XX $\pm 0.030$	SCALE		
X.XXX $\pm 0.015$	N.T.S.		
ANGLES $\pm FE$	SIZE		
HOLES $\pm 0.005$	B		
		SHEET 1 OF 1	