

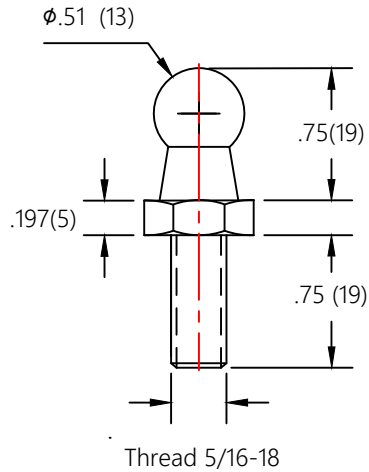
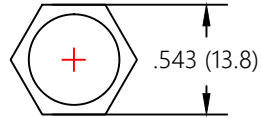
4

3

2

1

| REVISION HISTORY | | | |
|------------------|-------------|------|----------|
| REV | DESCRIPTION | DATE | APPROVED |
| | | | |



Material: steel with zinc plating

| | | | |
|--|--|--|----------------------------|
| NORMONT | DRAWN | NAME | DATE |
| | CHECKED | Faith | 12/7/20 |
| <small>THIS DOCUMENT AND ITS CONTENTS ARE THE PROPERTY OF NUJOMENG. THIS DOCUMENT CONTAINS CONFIDENTIAL PROPRIETARY INFORMATION. THE REPRODUCTION, DISTRIBUTION, UTILISATION OR THE COMMUNICATION OF THIS DOCUMENT OR ANY PART THEREOF, WITHOUT EXPRESS AUTHORIZATION IS STRICTLY FORBIDDEN.</small> | DWG NO | NBS02-02 | REV 0 |
| | TITLE | | |
| | Ball studs | | |
| REMOVE ALL BURRS & BREAK ALL SHARP EDGES | ALL DIMENSIONS ARE IN inch UNLESS OTHERWISE SPECIFIED | TOLERANCES | THIRD ANGLE PROJECTION |
| | | $X.X \pm 0.060$ $X.XX \pm 0.030$ $X.XXX \pm 0.015$ ANGLES $\pm FE$ HOLES ± 0.005 | |
| | | SHEET 1 OF 1 | SCALE N.T.S. SIZE B |

4

3

2

1