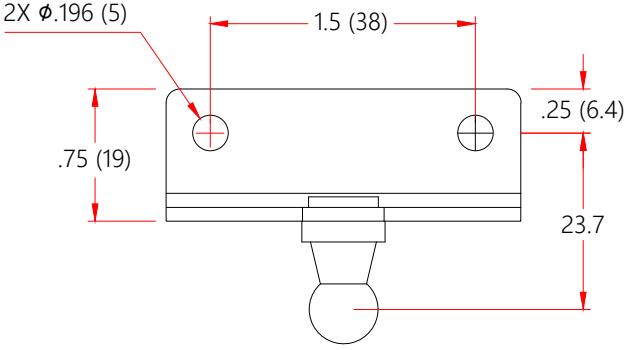
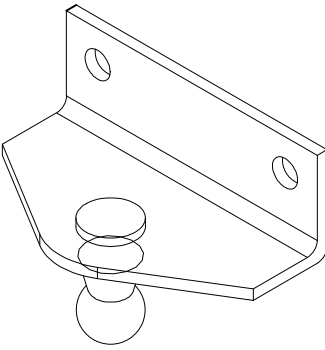
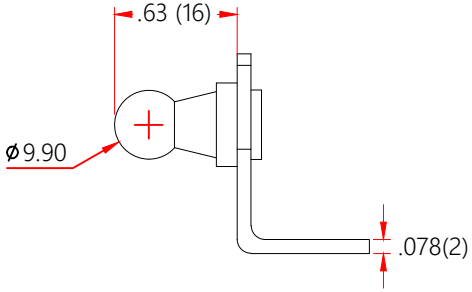
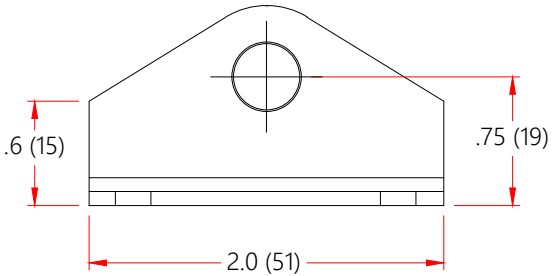


REVISION HISTORY			
REV	DESCRIPTION	DATE	APPROVED



Material: Stainless Steel

NORMONT	DRAWN	NAME	DATE
	CHECKED	Faith	3/26/21
<small>THIS DOCUMENT AND ITS CONTENTS ARE THE PROPERTY OF NUJOMENG. THIS DOCUMENT CONTAINS CONFIDENTIAL PROPRIETARY INFORMATION. THE REPRODUCTION, DISTRIBUTION, UTILISATION OR THE COMMUNICATION OF THIS DOCUMENT OR ANY PART THEREOF, WITHOUT EXPRESS AUTHORIZATION IS STRICTLY FORBIDDEN.</small>	DWG NO		REV
	NBR01-02SS		0
	TITLE		
<small>REMOVE ALL BURRS & BREAK ALL SHARP EDGES</small>	ALL DIMENSIONS ARE IN		THIRD ANGLE PROJECTION
	Inch		SCALE
			N.T.S.
			SIZE
			B
		SHEET 1 OF 1	