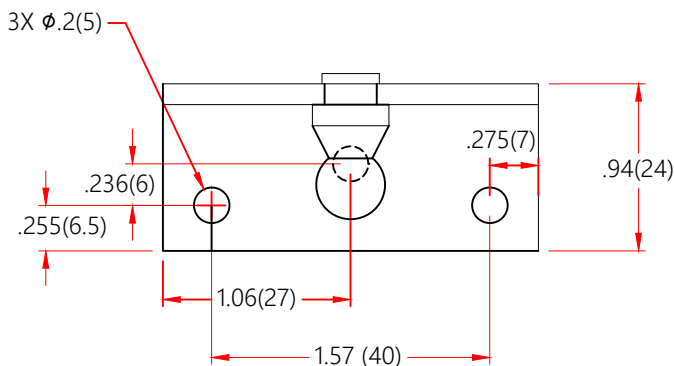
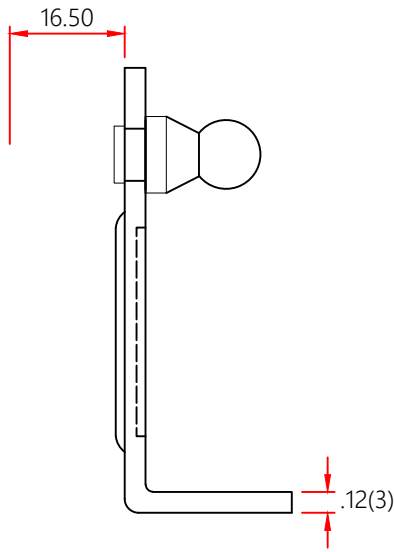
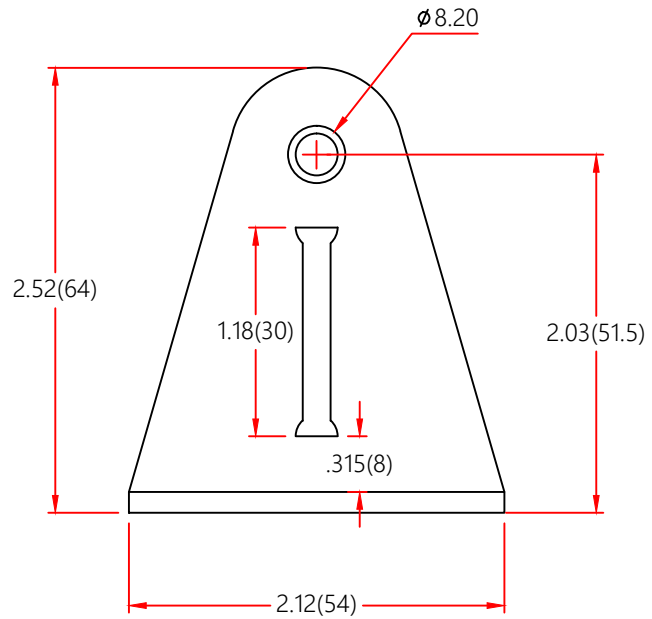


REVISION HISTORY			
REV	DESCRIPTION	DATE	APPROVED



Material: Steel
 Surface treatment: blue white zinc plated.

NORMONT	DRAWN	NAME	DATE
	CHECKED	Faith	3/26/21
<small>THIS DOCUMENT AND ITS CONTENTS ARE THE PROPERTY OF NUJOMENG. THIS DOCUMENT CONTAINS CONFIDENTIAL PROPRIETARY INFORMATION. THE REPRODUCTION, DISTRIBUTION, UTILISATION OR THE COMMUNICATION OF THIS DOCUMENT OR ANY PART THEREOF, WITHOUT EXPRESS AUTHORIZATION IS STRICTLY FORBIDDEN.</small>	DWG NO		REV
	NBR03-02		0
	TITLE		
Gas spring bracket			
<small>REMOVE ALL BURRS & BREAK ALL SHARP EDGES</small>	<small>ALL DIMENSIONS ARE IN</small> Inch <small>UNLESS OTHERWISE SPECIFIED</small>		<small>THIRD ANGLE PROJECTION</small>
	<small>TOLERANCES</small> X.X ±0.060 X.XX ±0.030 X.XXX ±0.015 <small>ANGLES</small> ±FE <small>HOLES</small> ±0.005	<small>SCALE</small> N.T.S. <small>SIZE</small> B	
SHEET 1 OF 1			