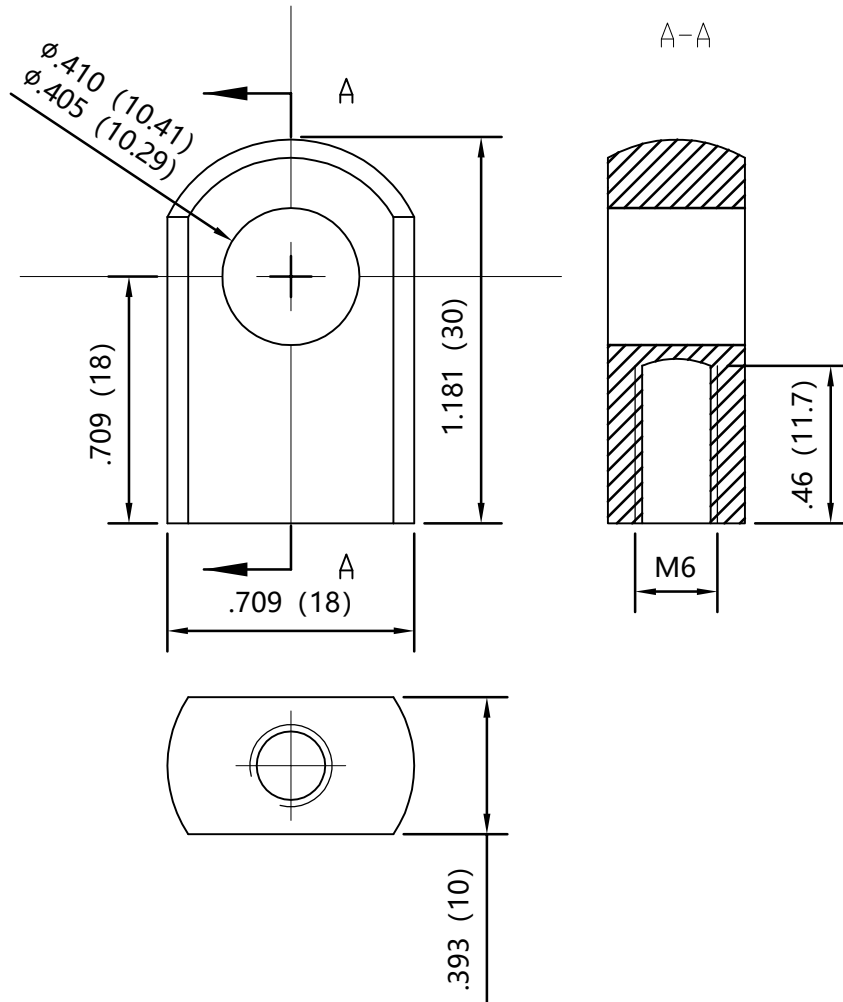

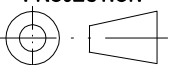


REVISION HISTORY			
REV	DESCRIPTION	DATE	APPROVED



Material: Steel
Surface treatment: Zinc Plated

	DRAWN	NAME Boytcho	DATE 3/18/20
	CHECKED		
<small>THIS DOCUMENT AND ITS CONTENTS ARE THE PROPERTY OF NUOMENG. THIS DOCUMENT CONTAINS CONFIDENTIAL PROPRIETARY INFORMATION. THE REPRODUCTION, DISTRIBUTION, UTILISATION OR THE COMMUNICATION OF THIS DOCUMENT OR ANY PART THEREOF, WITHOUT EXPRESS AUTHORISATION IS STRICTLY FORBIDDEN.</small>	DWG NO FB2		REV 0
	TITLE Gas spring connector		
	TOLERANCES X.X ± 0.060 X.XX ± 0.030 X.XXX ± 0.015 ANGLES $\pm 1.0^\circ$ HOLES ± 0.005	THIRD ANGLE PROJECTION 	SCALE N.T.S. SIZE B
REMOVE ALL BURRS & BREAK ALL SHARP EDGES	ALL DIMENSIONS ARE IN inch <small>UNLESS OTHERWISE SPECIFIED</small>	SHEET 1 OF 1	