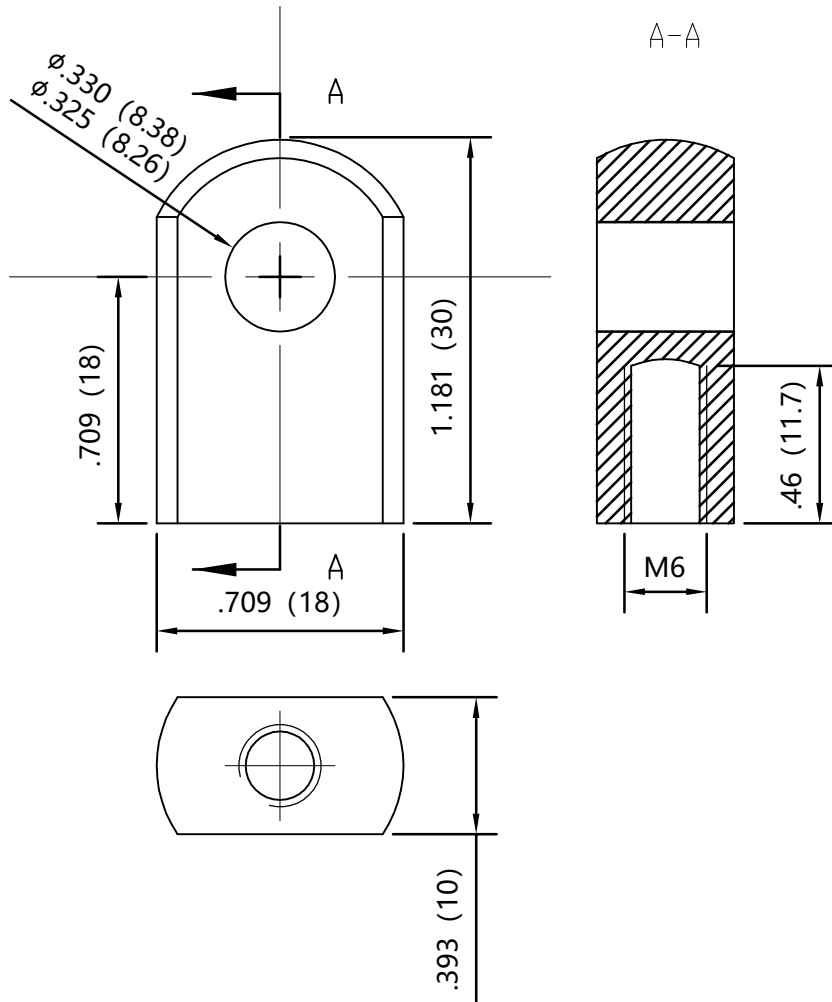



REVISION HISTORY			
REV	DESCRIPTION	DATE	APPROVED



**Material: Steel**  
**Surface treatment: Zinc Plated**

	DRAWN	NAME	DATE
	CHECKED	Boytcho	3/18/20
<small>THIS DOCUMENT AND ITS CONTENTS ARE THE PROPERTY OF NUOMENG. THIS DOCUMENT CONTAINS CONFIDENTIAL PROPRIETARY INFORMATION. THE REPRODUCTION, DISTRIBUTION, UTILISATION OR THE COMMUNICATION OF THIS DOCUMENT OR ANY PART THEREOF, WITHOUT EXPRESS AUTHORIZATION IS STRICTLY FORBIDDEN.</small>	DWG NO	REV	
	FB3	0	
	TITLE		
	Gas spring connector		
<b>REMOVE ALL BURRS &amp; BREAK ALL SHARP EDGES</b>	TOLERANCES		THIRD ANGLE PROJECTION
	X.X	$\pm 0.060$	
	X.XX	$\pm 0.030$	
	X.XXX	$\pm 0.015$	
	ANGLES	$\pm 1.0^\circ$	
	HOLES	$\pm 0.005$	SCALE
ALL DIMENSIONS ARE IN <b>inch</b> UNLESS OTHERWISE SPECIFIED			N.T.S.
			SIZE
			<b>B</b>
			SHEET 1 OF 1