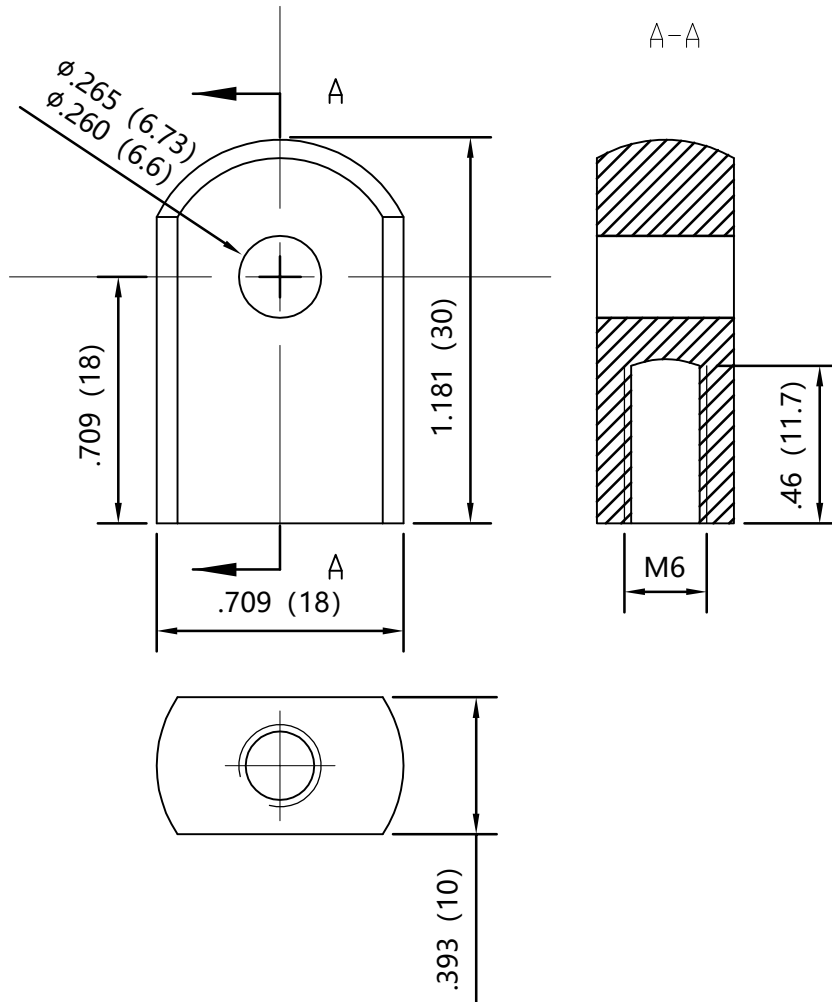

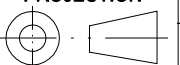


| REVISION HISTORY | | | |
|------------------|-------------|------|----------|
| REV | DESCRIPTION | DATE | APPROVED |
| | | | |



Material: Steel
Surface treatment: Zinc Plated

| | | | |
|---|--|---------|--|
|  | DRAWN | NAME | DATE |
| | CHECKED | Boytcho | 3/18/20 |
| <small>THIS DOCUMENT AND ITS CONTENTS ARE THE PROPERTY OF NUOMENG. THIS DOCUMENT CONTAINS CONFIDENTIAL PROPRIETARY INFORMATION. THE REPRODUCTION, DISTRIBUTION, UTILISATION OR THE COMMUNICATION OF THIS DOCUMENT OR ANY PART THEREOF, WITHOUT EXPRESS AUTHORIZATION IS STRICTLY FORBIDDEN.</small> | DWG NO | REV | |
| | FB4 | 0 | |
| REMOVE ALL BURRS & BREAK ALL SHARP EDGES | <small>ALL DIMENSIONS ARE IN</small> inch <small>UNLESS OTHERWISE SPECIFIED</small> | | TOLERANCES X.X ± 0.060 X.XX ± 0.030 X.XXX ± 0.015 ANGLES $\pm 1.0^\circ$ HOLES ± 0.005 |
| | THIRD ANGLE PROJECTION | |  |
| | SCALE N.T.S. | | SIZE B |
| | SHEET 1 OF 1 | | |
| | | | |