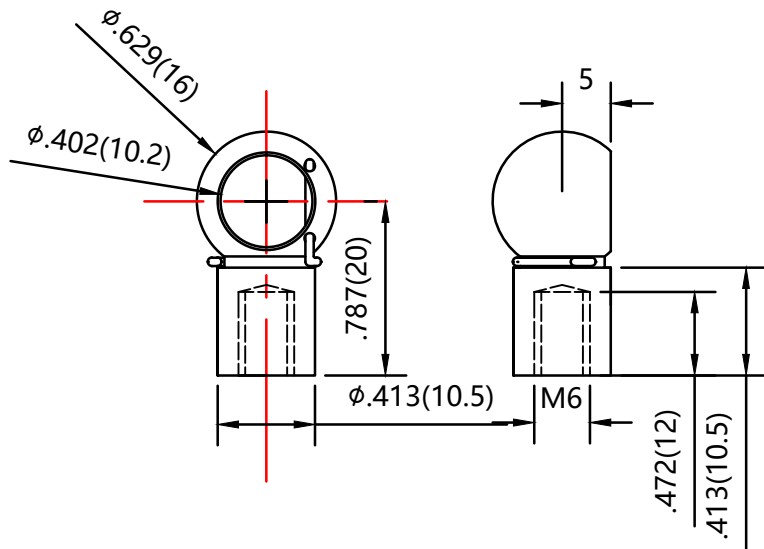


REVISION HISTORY			
REV	DESCRIPTION	DATE	APPROVED



Material: Steel  
Plating: zinc clear



THIS DOCUMENT AND ITS CONTENTS ARE THE PROPERTY OF NUJOMENG. THIS DOCUMENT CONTAINS CONFIDENTIAL PROPRIETARY INFORMATION. THE REPRODUCTION, DISTRIBUTION, UTILISATION OR THE COMMUNICATION OF THIS DOCUMENT OR ANY PART THEREOF, WITHOUT EXPRESS AUTHORIZATION IS STRICTLY FORBIDDEN.

REMOVE ALL BURRS & BREAK ALL SHARP EDGES

ALL DIMENSIONS ARE IN **inch** UNLESS OTHERWISE SPECIFIED

DRAWN	NAME	DATE
CHECKED	Boycho	6/29/20
DWG NO	MT1	REV 0
TITLE <b>Gas spring connector</b>		
TOLERANCES	THIRD ANGLE PROJECTION	SCALE
X.X ± 0.060		N.T.S.
X.XX ± 0.030		SIZE
X.XXX ± 0.015		<b>B</b>
ANGLES ± FE	SHEET 1 OF 1	
HOLES ± 0.005		