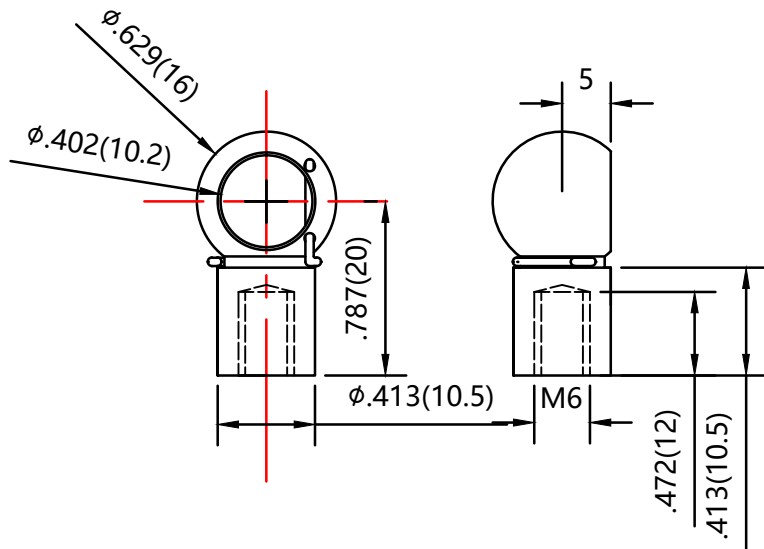


REVISION HISTORY			
REV	DESCRIPTION	DATE	APPROVED



Material: Steel  
Plating: Black



THIS DOCUMENT AND ITS CONTENTS ARE THE PROPERTY OF NUJOMENG  
THIS DOCUMENT CONTAINS CONFIDENTIAL PROPRIETARY INFORMATION. THE REPRODUCTION, DISTRIBUTION, UTILISATION OR THE COMMUNICATION OF THIS DOCUMENT OR ANY PART THEREOF, WITHOUT EXPRESS AUTHORISATION IS STRICTLY FORBIDDEN.

REMOVE ALL  
BURRS & BREAK  
ALL SHARP  
EDGES

ALL DIMENSIONS ARE IN  
**inch**  
UNLESS OTHERWISE SPECIFIED

DRAWN	NAME Boycho	DATE 6/29/20
CHECKED		
DWG NO	MT1B	REV 0
TITLE <b>Gas spring connector</b>		
TOLERANCES	THIRD ANGLE PROJECTION	SCALE N.T.S.
X.X ± 0.060		
X.XX ± 0.030		
X.XXX ± 0.015		
ANGLES ± FE	SHEET 1 OF 1	
HOLES ± 0.005	SIZE <b>B</b>	