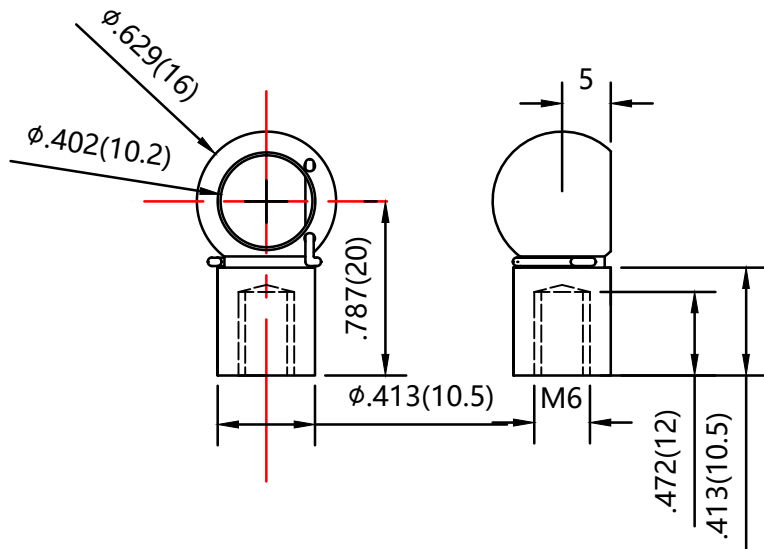



REVISION HISTORY			
REV	DESCRIPTION	DATE	APPROVED



Material: Stainless Steel

	NAME	DATE
	Boycho	6/29/20
DRAWN	CHECKED	REV
DWG NO	MT1SS	0
THIS DOCUMENT AND ITS CONTENTS ARE THE PROPERTY OF NUJOMENG. THIS DOCUMENT CONTAINS CONFIDENTIAL PROPRIETARY INFORMATION. THE REPRODUCTION, DISTRIBUTION, UTILISATION OR THE COMMUNICATION OF THIS DOCUMENT OR ANY PART THEREOF, WITHOUT EXPRESS AUTHORIZATION IS STRICTLY FORBIDDEN.		
TITLE Gas spring connector		
REMOVE ALL BURRS & BREAK ALL SHARP EDGES	ALL DIMENSIONS ARE IN inch UNLESS OTHERWISE SPECIFIED	TOLERANCES X.X ±0.060 X.XX ±0.030 X.XXX ±0.015 ANGLES ±FE HOLES ±0.005
THIRD ANGLE PROJECTION		SCALE N.T.S. SIZE B
SHEET 1 OF 1		