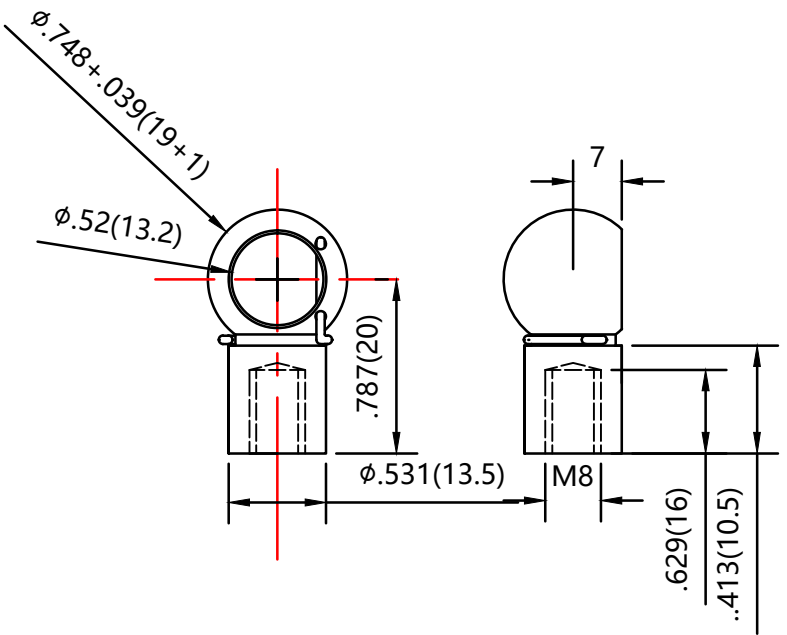


REVISION HISTORY			
REV	DESCRIPTION	DATE	APPROVED



Material: Steel
Plating: Zinc Clear



THIS DOCUMENT AND ITS CONTENTS ARE THE PROPERTY OF NUJOMENG
THIS DOCUMENT CONTAINS CONFIDENTIAL PROPRIETARY INFORMATION. THE REPRODUCTION, DISTRIBUTION, UTILISATION OR THE COMMUNICATION OF THIS DOCUMENT OR ANY PART THEREOF, WITHOUT EXPRESS AUTHORISATION IS STRICTLY FORBIDDEN.

REMOVE ALL BURRS & BREAK ALL SHARP EDGES

ALL DIMENSIONS ARE IN **inch** UNLESS OTHERWISE SPECIFIED

NAME	DATE
Boytcho	6/29/20
DRAWN	CHECKED
DWG NO	REV
MT2	0
TITLE	
Gas spring connector	
TOLERANCES	THIRD ANGLE PROJECTION
X.X ± 0.060	
X.XX ± 0.030	
X.XXX ± 0.015	
ANGLES ± FE	
HOLES ± 0.005	SCALE
	N.T.S.
	SIZE
	B
	SHEET 1 OF 1