

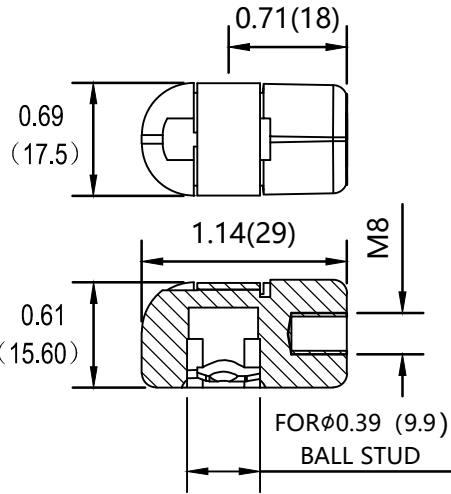
4

3

2

1

REVISION HISTORY			
REV	DESCRIPTION	DATE	APPROVED



Material: Plastic



THIS DOCUMENT AND ITS CONTENTS ARE THE PROPERTY OF NUJOMENG  
 THIS DOCUMENT CONTAINS CONFIDENTIAL PROPRIETARY INFORMATION. THE REPRODUCTION, DISTRIBUTION, UTILISATION OR THE COMMUNICATION OF THIS DOCUMENT OR ANY PART THEREOF, WITHOUT EXPRESS AUTHORISATION IS STRICTLY FORBIDDEN.

REMOVE ALL BURRS & BREAK ALL SHARP EDGES

ALL DIMENSIONS ARE IN **inch** UNLESS OTHERWISE SPECIFIED

DRAWN	NAME Faith	DATE 6/29/20
CHECKED		
DWG NO	PC2	REV 0
TITLE <b>Gas spring connector</b>		
TOLERANCES	THIRD ANGLE PROJECTION	SCALE N.T.S.
X.X ± 0.060		
X.XX ± 0.030		
X.XXX ± 0.015		
ANGLES ± FE	SHEET 1 OF 1	
HOLES ± 0.005	SIZE <b>B</b>	

4

3

2

1