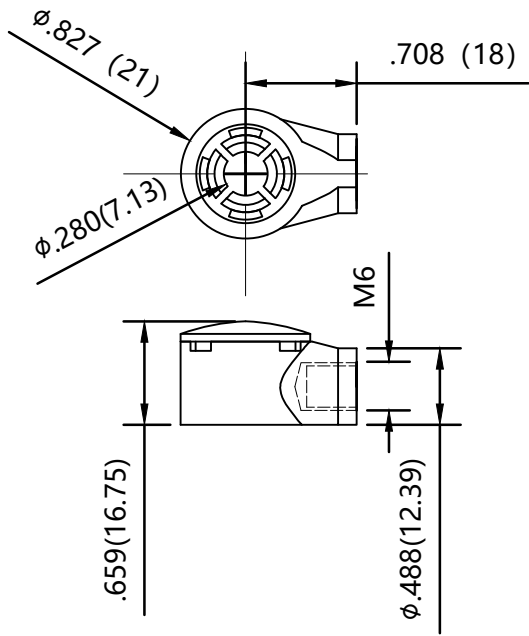


REVISION HISTORY			
REV	DESCRIPTION	DATE	APPROVED



Material: Plastic



THIS DOCUMENT AND ITS CONTENTS ARE THE PROPERTY OF NUJOMENG. THIS DOCUMENT CONTAINS CONFIDENTIAL PROPRIETARY INFORMATION. THE REPRODUCTION, DISTRIBUTION, UTILISATION OR THE COMMUNICATION OF THIS DOCUMENT OR ANY PART THEREOF, WITHOUT EXPRESS AUTHORIZATION IS STRICTLY FORBIDDEN.

REMOVE ALL
BURRS & BREAK
ALL SHARP
EDGES

ALL DIMENSIONS ARE IN
inch
UNLESS OTHERWISE SPECIFIED

DRAWN	NAME Boycho	DATE 6/29/20
CHECKED		
DWG NO	PCE	REV 0
TITLE Gas spring connector		
TOLERANCES	THIRD ANGLE PROJECTION	SCALE N.T.S.
X.X ± 0.060		
X.XX ± 0.030		
X.XXX ± 0.015		
ANGLES $\pm FE$	SHEET 1 OF 1	
HOLES ± 0.005	SIZE B	